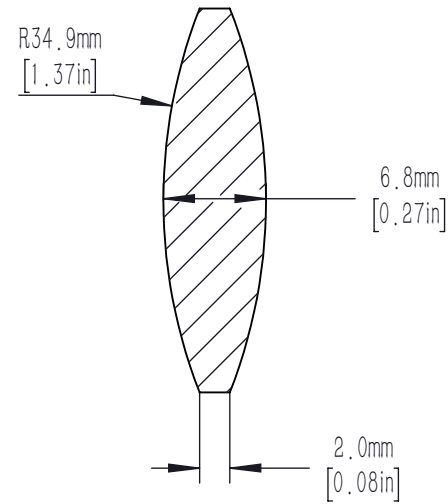
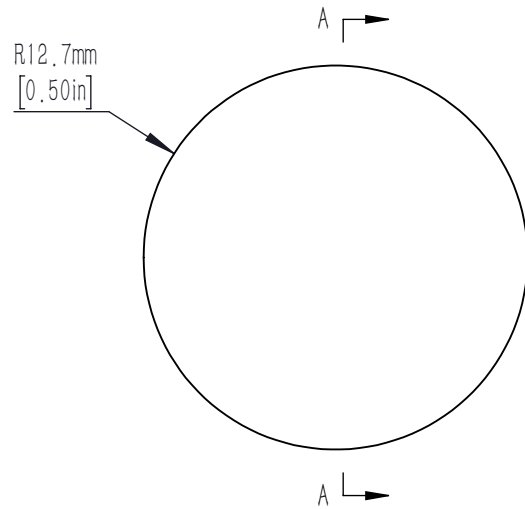


FOR INFORMATION ONLY NOT FOR
MANUFACTURING PURPOSES



SECTION A-A

NOTES/SPECIFICATIONS:

1. DESIGN WAVELENGTH: 587.6nm1.
2. FOCAL LENGTH: $f=35.0\text{mm} \pm 1\%$
3. BACK FOCAL LENGTH(REF): $bf=32.7\text{mm}$
4. CLEAR APERTURE: $>90\%$
5. SURFACE QUALITY: 40-20 SCRATCH-DIG
6. CENTRATION: $<3\text{arcmin}$
7. DIAMETER TOLERANCE: $+0.0/-0.1\text{mm}$
8. THICKNESS TOLERANCE: $\pm 0.1\text{mm}$
9. COATING: BBAR $R_{\text{avg}} < 0.5\%$ FROM 350-700nm, AOI: 0° ,
ON OUTER OPTICAL SURFACES

DRAWING PROJECTION							
	NAME	DATE	D25.4 F=35.0 N-BK7 A Coated Bi Convex Lens				
DRAWN	CWD	2022/5/18	EX1254-35-A				
APPROVAL	ZSB	2022/5/18	MATERIAL	WEIGHT	SCALE	REV	
FOR INFORMATION ONLY NOT FOR MANUFACTURING PURPOSES			N-BK7	0.0056kg	2:1	A	