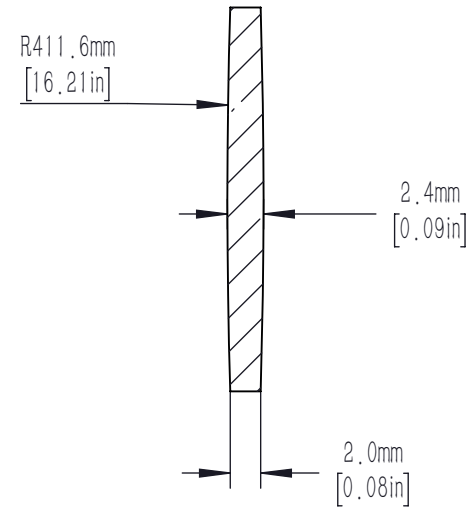
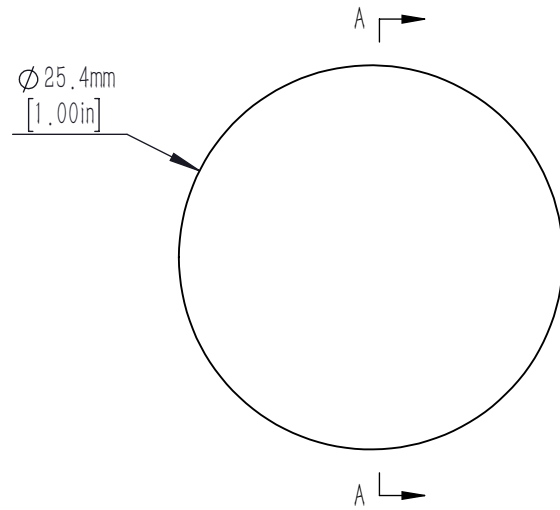


FOR INFORMATION ONLY NOT FOR
MANUFACTURING PURPOSES



SECTION A-A

NOTES/SPECIFICATIONS:

1. DESIGN WAVELENGTH: $587.6\text{nm}1$.
2. FOCAL LENGTH: $f=400.0\text{mm} \pm 1\%$
3. BACK FOCAL LENGTH(REF): $bf=399.2\text{mm}$
4. CLEAR APERTURE: $>90\%$
5. SURFACE QUALITY: 40-20 SCRATCH-DIG
6. CENTRATION: $<3\text{arcmin}$
7. DIAMETER TOLERANCE: $+0.0/-0.1\text{mm}$
8. THICKNESS TOLERANCE: $\pm 0.1\text{mm}$
9. COATING: BBAR $R_{\text{avg}} < 0.5\%$ FROM $650-1100\text{nm}$, AOI: 0° , ON OUTER OPTICAL SURFACES

DRAWING PROJECTION							
	NAME	DATE	D25.4 F=400.0 N-BK7 B Coated Bi Convex Lens				
DRAWN	CWD	2022/5/18	EX1254-400-B				
APPROVAL	ZSE	2022/5/18	MATERIAL	WEIGHT	SCALE	REV	
FOR INFORMATION ONLY NOT FOR MANUFACTURING PURPOSES			N-BK7	0.0028kg	2:1	A	