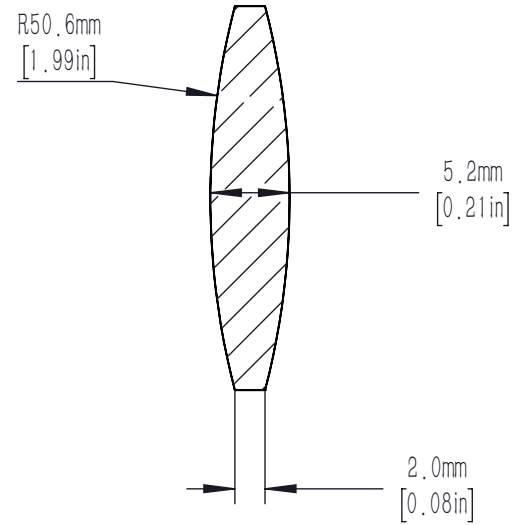
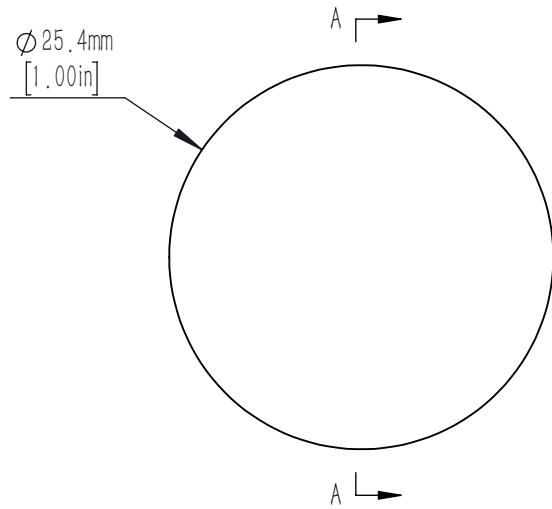


FOR INFORMATION ONLY NOT FOR  
MANUFACTURING PURPOSES



SECTION A-A

NOTES/SPECIFICATIONS:

1. DESIGN WAVELENGTH: 587.6nm1.
2. FOCAL LENGTH:  $f=50.0\text{mm} \pm 1\%$
3. BACK FOCAL LENGTH(REF):  $bf=48.2\text{mm}$
4. CLEAR APERTURE:  $>90\%$
5. SURFACE QUALITY: 40-20 SCRATCH-DIG
6. CENTRATION:  $<3\text{arcmin}$
7. DIAMETER TOLERANCE:  $+0.0/-0.1\text{mm}$
8. THICKNESS TOLERANCE:  $\pm 0.1\text{mm}$
9. COATING: BBAR  $R_{\text{avg}} < 0.5\%$  FROM 650-1100nm, AOI:  $0^\circ$ , ON OUTER OPTICAL SURFACES

DRAWING PROJECTION							
	NAME	DATE	D25.4 F=50.0 N-BK7 B Coated Bi Convex Lens				
DRAWN	CWD	2022/5/18	EX1254-50-B				
APPROVAL	ZSE	2022/5/18	MATERIAL	WEIGHT	SCALE	REV	
FOR INFORMATION ONLY NOT FOR MANUFACTURING PURPOSES			N-BK7	0.0046kg	2:1	A	